

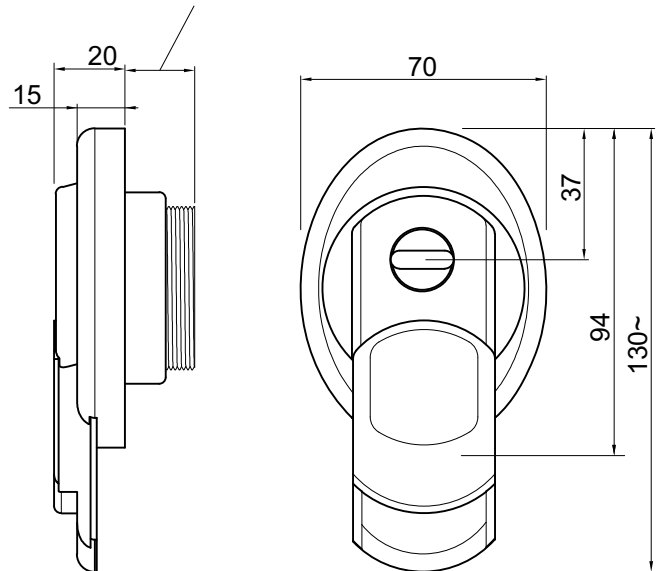
**MAGNETIC  
KEY**



**MG3551**



11 min x def H25  
6 min x def H20



**FINITURE  
FINISHES**

- (C) Cromo lucido  
Bright Chrome
- (T) Cromo satinato  
Satin Chrome
- (2) PVD Ottone  
PVD Brass